

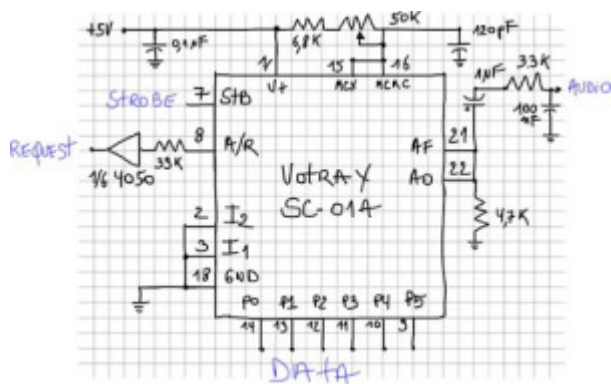
Arduino & Votrax "Hello World"

After some fun with the SP0256 (more to come on this) I decided to try the Votrax SC-01. (I found it on Ebay).

I followed this schematic:
<http://kevtris.org/Projects/votraxtnt/index.html>

I also found a lot of resources here:
<http://www.redcedar.com/sc01.htm>

I made this schematic



And coded the Arduino Uno inspired by this blog
<http://www.bot-thoughts.com/2010/02/sp0256-a12-speech-with-arduino.html>

```
/* Votrax SC-01 A Speech Chip Hello World Arduino Uno */
```

```
#define STB 2 // Strobe need to go high to latch datas
#define AR 3 // Acknowledge/Request goes high when ready
// "Hello Word"
byte message[]={0x1B, 0x02, 0x23, 0x18, 0x23, 0x16,
0x37,0x3E,0x2D,0x3A,0x2B,0x18,0x1E,0x3F};
int messageSize = sizeof(message);

void setup(){
  DDRB = B00111111; // set Port B 6 lowest bit as Output
  (Arduino Uno pin 8 to 13)
```

```
pinMode(STB, OUTPUT);
pinMode(AR, INPUT);
digitalWrite(STB, LOW); // must stay low
}

void loop() {
int i; for (i=0; i<messageSize; i++) {
say(message[i]);
} delay(2000); // delay 2 sec between repetition
}
void say(byte phoneme) {
PORTB = phoneme; // Set Stb = 1 for 2usec to tell the chip to
read the Port
digitalWrite(STB, HIGH);
delayMicroseconds(2);
digitalWrite(STB, LOW);
// Wait for AR=1 when chip is ready
while (digitalRead(AR) == 0);
}
```

Have fun with the pitch pot and enjoy the distinct sound of the beast.