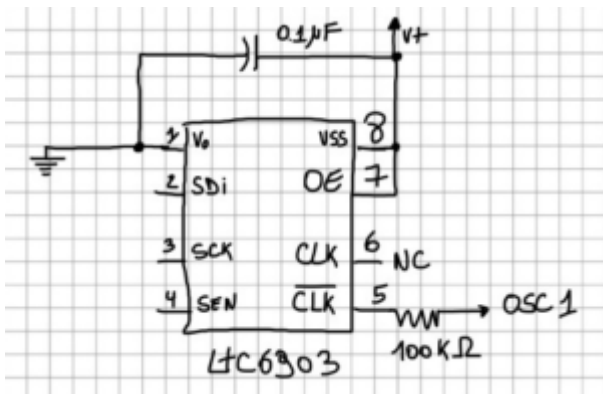


# SP0256-AL2 pitch control

I always wanted to have some fun with the SP0256's pitch.

I started to change the crystal with some I had lying around.  
(2.4576 MHz, [3.2768 MHz](#), [4.0000 MHz](#))

The SP0256 worked just fine at these frequencies (Follow the links to hear some samples)

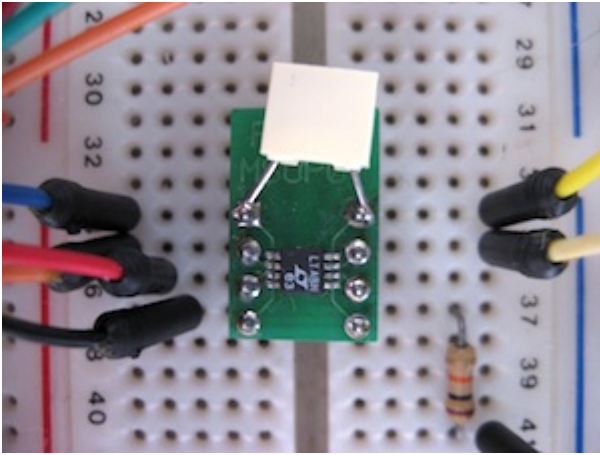


Eric Archer describes a [nice application](#) where the crystal is replaced by a VCO. I wanted to do the same by driving an oscillator with my Arduino.

I found how to use a programmable oscillator (LTC6903) with an Arduino <http://eastco-inc.com/>

Part of the problem is the size of this chip (4x3mm !)

I had to install it on an adapter breadboard to hook it to the Arduino according to this wiring. (to connect it to the SP0256 was another problem. See later)



The LTC6903 chip has a different range of frequencies and one exactly fit the SP0256 range or limits (see page 7 from the [datasheet](#)) You just need to pass the correct parameter to the chip

Table 1. Output Frequency Range vs OCT Setting  
(Frequency Resolution 0.001 • f)

f ≥	f <	OCT
34.05MHz	68.03MHz	15
17.02MHz	34.01MHz	14
8.511MHz	17.01MHz	13
4.256MHz	8.503MHz	12
2.128MHz	4.252MHz	11
1.064MHz	2.126MHz	10
532kHz	1063kHz	9
266kHz	531.4kHz	8
133kHz	265.7kHz	7
66.5kHz	132.9kHz	6
33.25kHz	66.43kHz	5
16.62kHz	33.22kHz	4
8.312kHz	16.61kHz	3
4.156kHz	8.304kHz	2
2.078kHz	4.152kHz	1
1.039kHz	2.076kHz	0

Now to get it to the SP0256 was a problem at higher frequencies (around 4MHz). The chip started to produce hiss and stalled. I knew that by using a crystal I could go up to 4MHz so I had to search a bit. After many (hours) of trials and errors and lost of readings

<http://www.phaselink.com/pdffiles/PAN0704111%20-%20Replacing%20Crystals%20and%20scillators.pdf>

I learned that I could do an AC coupling.

Here is the final schematic working up to 4.252 MHz. Note that

