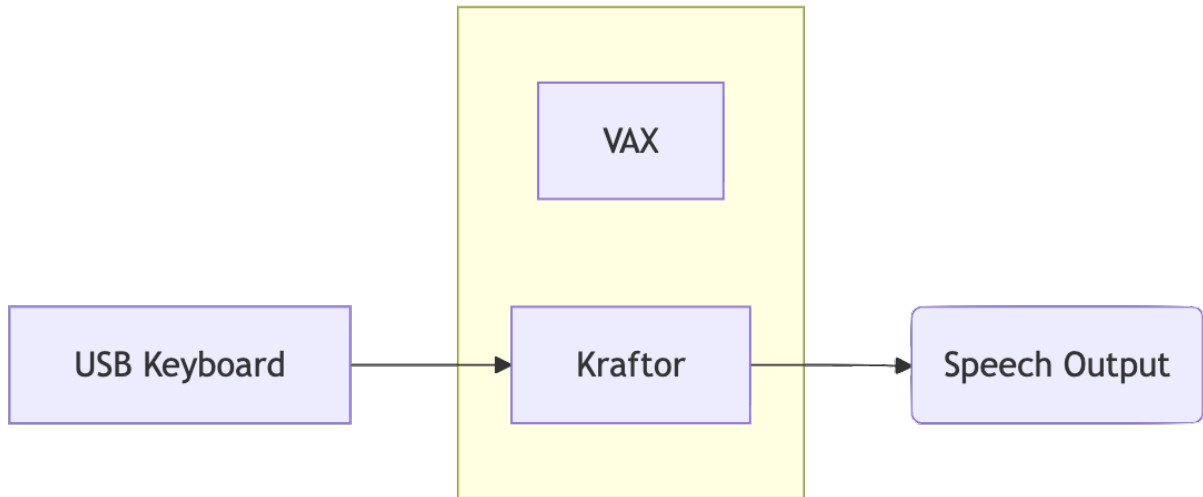


VAX USB keyboard reader

This firmware allows [Kraftor](#) hosting [Vax](#) to generate speech directly from a compatible [USB keyboard](#).



Kraftor acts as a USB host – sentences are typed and edited with the connected keyboard.

Revision Notes

2025-11-10 initial release v1.0

Usage

- Type your sentence, then press **Enter** to speak.
- **Backspace** removes the last character on the OLED (edits in place).
- **Esc** cancels or clears the current line you're editing.
- Press **Enter** on an empty line to repeat the last

sentence.

Change Voice with Function Keys

Press a function key to select a voice:

- F1: Paul
- F2: Harry
- F3: Betty
- F4: Ursula
- F5: Dennis
- F6: Kit
- F7: Frank
- F8: Rita
- F9: Wendy

When a voice is selected, the OLED briefly shows “Voice Selected” and the voice name.

The name of the voice is also spoken aloud.

Connections

Use a **Y USB cable** (one branch for power, one branch for data connection).

You will also need a [compatible USB keyboard](#) (both available in the store).

Firmware

Do not use this firmware for EMY or Terminal.

[How to install the firmware](#)

UF2

-

Vax USB reader

1 file(s) 154.00 KB

Login is required to access this page

[Login](#)